



ADC 3.3V 24-BIT 48KS/s AUDIO – AIP-ADC24B48K3VSD

FEATURES

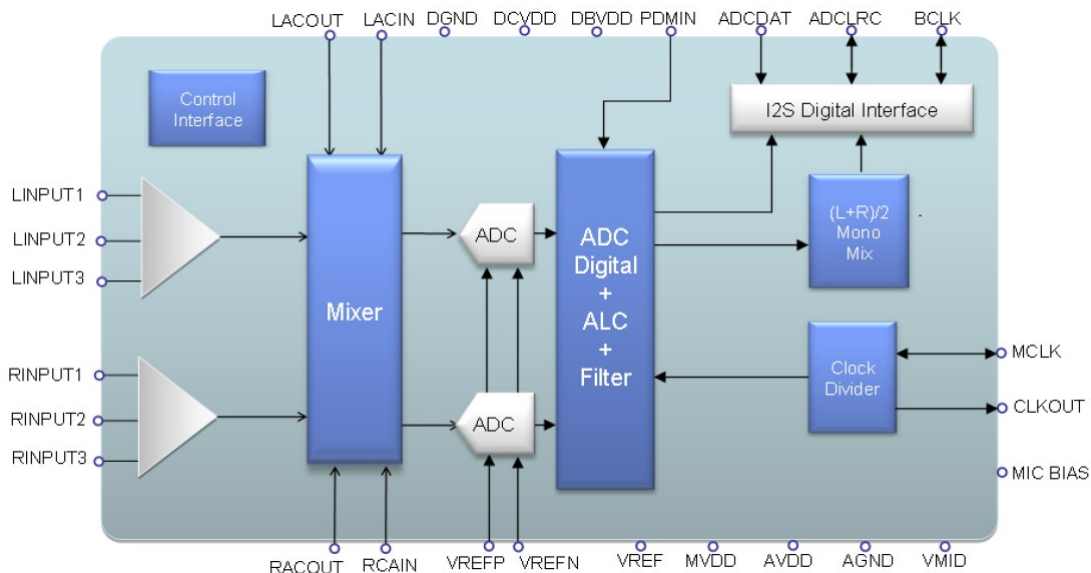
- ▶ Supply voltage: 2.5 – 3.3V
- ▶ SNR: 97dB (A-weighted @ 3.3V, 48KHz)
- ▶ Resolution: 24-bit
- ▶ Sampling rate: 8, 11.025, 12, 16, 22.05, 24, 32, 44.1, 48, 88.2, 96KS/s
- ▶ THD: -85dB (@ -1dB, 3.3V)
- ▶ Architecture: Sigma-Delta ADC
- ▶ Programmable on-chip microphone preamp
- ▶ Normal, low-power and power-down control
- ▶ Low Power Mode: 11.8mW at 2.5V(stereo), 20mW at 3.3V (stereo)
- ▶ Total core area: NDA required
- ▶ Temperature: -40C to 85C

OVERVIEW

- ▶ 24-bit High-Performance Low-Power Stereo Audio Sigma-Delta ADC in standard CMOS process.
- ▶ Fully integrated with control and internal reference generators.
- ▶ Stereo inputs or Mono input.
- ▶ Ideal for audio application, mobile phones, portable players, VOIP and voice recorders applications.

IP STATUS

- ▶ SILICON VERIFIED



ASI, INC. CONFIDENTIAL INFORMATION

ASI reserves the right to make changes to the information contained herein without notice. No liability shall be incurred as a result of its use or application.

www.advsensor.com
contact@advsensor.com
3945 Freedom Circle, Suite 710,
Santa Clara, CA 95054, United States