



ADC 3.3V 8-BIT 80MS/s – AIP-ADC8B80M3VPIPE

FEATURES

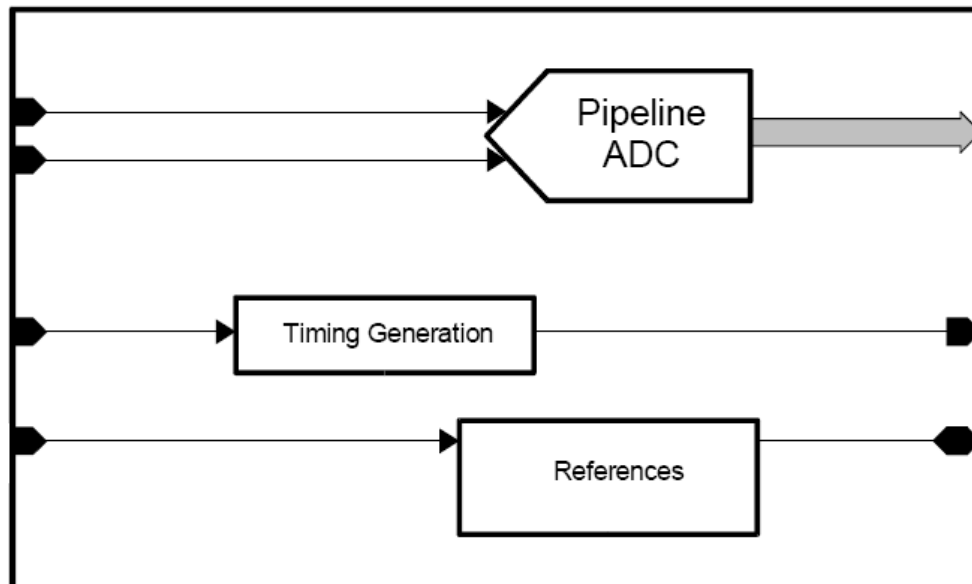
- ▶ Supply voltage: 3.0V – 3.6V
- ▶ Resolution: 8-bit
- ▶ Conversion rate: 80MS/s
- ▶ Input range: 2Vpp differential
- ▶ Architecture: Pipeline ADC
- ▶ INL and DNL: <1LSB and <1LSB
- ▶ Normal, standby and power-down control
- ▶ Power-down mode (consumption <1uA)
- ▶ Current consumption: NDA required
- ▶ Total core area: NDA required
- ▶ Temperature: -40C to 125C
- ▶ Process technology: 0.13um and 0.18um digital CMOS with 3.3V IO transistor

OVERVIEW

- ▶ A high speed low-power pipeline ADC in standard digital process – no analog components required.
- ▶ Fully integrated with internal reference and clock generators.
- ▶ Stand by and power down modes.
- ▶ Ideal for wireless application, WiFi, data transmission, video and imaging.

IP STATUS

- ▶ **MASS PRODUCTION**



ASI, INC. CONFIDENTIAL INFORMATION

ASI reserves the right to make changes to the information contained herein without notice.
No liability shall be incurred as a result of its use or application.

www.advsensor.com
contact@advsensor.com
3945 Freedom Circle, Suite 710,
Santa Clara, CA 95054, United States