

## LOW POWER CRYSTAL OSCILLATOR – AIP-OSC32K

### FEATURES

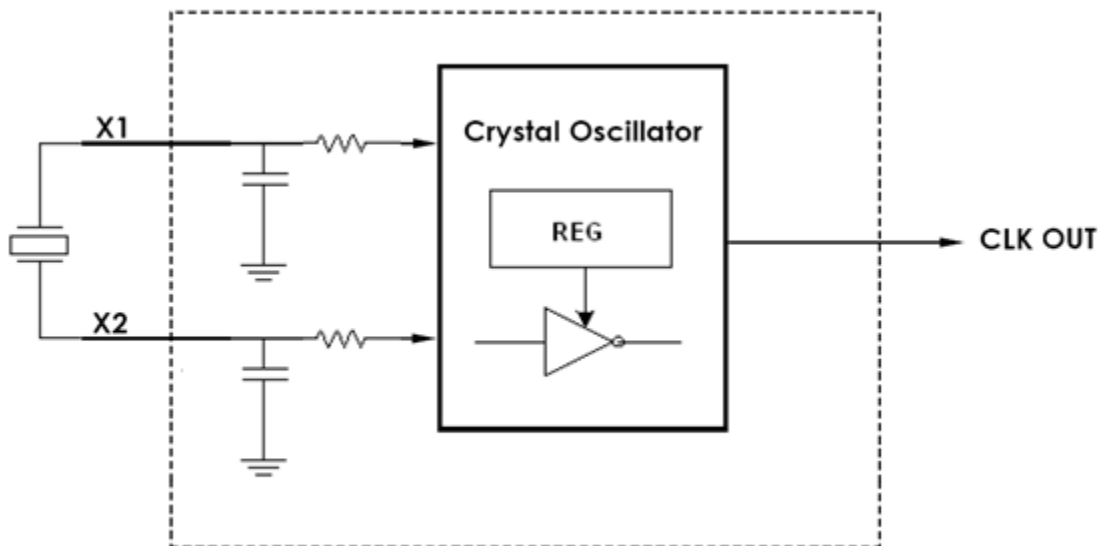
- ▶ Supply voltage: 1.5V – 3.6V
- ▶ Output frequency range: 32KHz – 32.768KHz
- ▶ Current consumption: 250nA
- ▶ Automatic gain control for fast startup
- ▶ Period jitter: NDA required
- ▶ Output duty cycle: 50%
- ▶ Power-up/down control
- ▶ Power-down mode (consumption <math><0.1\mu\text{A}</math>)
- ▶ Total core area: NDA required
- ▶ Temperature: -40C to 85C
- ▶ Process technology: 0.18, 0.25um, 0.35um, 0.5um digital CMOS

### OVERVIEW

- ▶ A very low power crystal or quartz oscillator consuming 250nA typical.
- ▶ Delivers optimal jitter performance.
- ▶ Automatic gain control to ensure fast startup time and self operation compensation.
- ▶ Ideal for implantable medical applications, portable devices and real time clock generations.

### IP STATUS

- ▶ MASS PRODUCTION



#### ASI, INC. CONFIDENTIAL INFORMATION

ASI reserves the right to make changes to the information contained herein without notice.  
No liability shall be incurred as a result of its use or application.

[www.advsensor.com](http://www.advsensor.com)  
[contact@advsensor.com](mailto:contact@advsensor.com)  
 3945 Freedom Circle, Suite 710,  
 Santa Clara, CA 95054, United States