



LOW POWER CRYSTAL OSCILLATOR – AIP-OSC40M

FEATURES

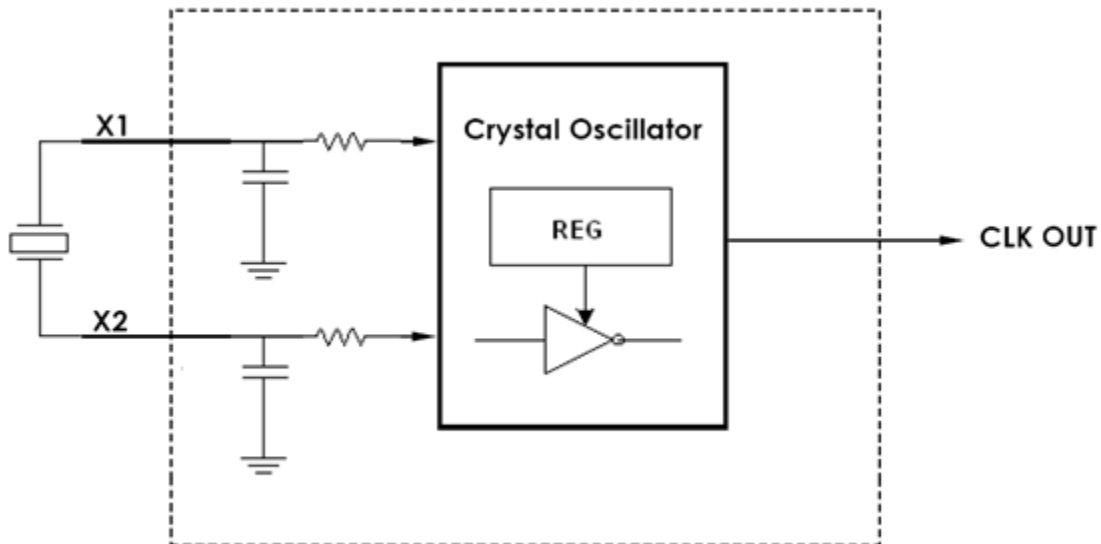
- ▶ Supply voltage: 3.0V – 3.6V
- ▶ Output frequency range: 40MHz
- ▶ Current consumption: 350uA
- ▶ Automatic gain control for fast startup
- ▶ Output duty cycle: 50%
- ▶ Power-up/down control
- ▶ Power-down mode (consumption <0.1uA)
- ▶ Total core area: NDA required
- ▶ Temperature: -40C to 85C
- ▶ Process technology: 90nm, 0.13um, 0.18 digital CMOS

OVERVIEW

- ▶ A 40MHz crystal oscillator consuming.
- ▶ Delivers optimal jitter performance.
- ▶ Fast startup time.
- ▶ Ideal for system clock generations or for clock multipliers.

IP STATUS

- ▶ MASS PRODUCTION



ASI, INC. CONFIDENTIAL INFORMATION

ASI reserves the right to make changes to the information contained herein without notice.
No liability shall be incurred as a result of its use or application.

www.advsensor.com
contact@advsensor.com
3945 Freedom Circle, Suite 710,
Santa Clara, CA 95054, United States